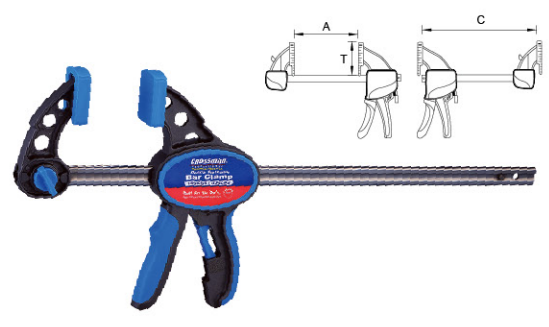




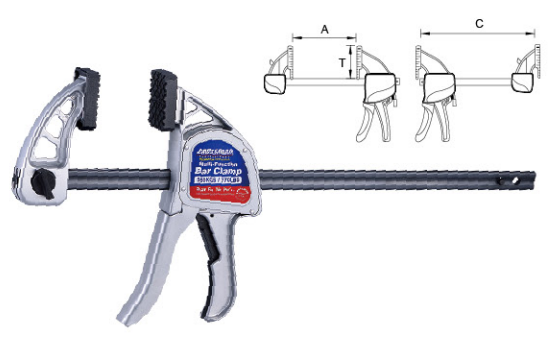
Hand Tools

Quick Release Bar Clamp

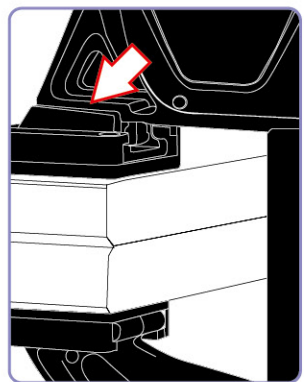
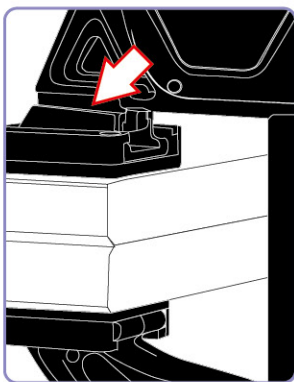


Item No.	Size(A)	Clamping Spreading	Throat depth	
68-541	6"	150~365mm	85mm	20/CTN
68-542	12"	300~518mm	85mm	12/CTN
68-543	18"	450~670mm	85mm	12/CTN
68-544	24"	600~822mm	85mm	12/CTN
68-545	36"	915~1120mm	85mm	12/CTN

Aluminum Heavy Duty Bar Clamp



Item No.	Size(A)	Clamping Spreading	Throat depth	
68-581	6"	150~365mm	85mm	6/12
68-582	12"	300~518mm	85mm	6/12
68-583	18"	450~670mm	85mm	6/12
68-584	24"	600~822mm	85mm	6/12
68-585	36"	915~1120mm	85mm	6/12
68-586	50"	1200~1400mm	85mm	4/12



Heavy-Duty Pipe Clamp



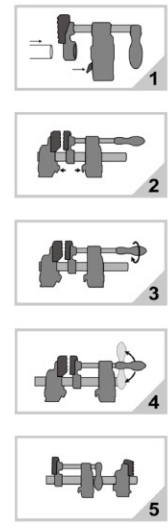
Item No.	Throat depth	
68-538	43mm	6/12

Deep-Reach Pipe Clamp



Item No.	Throat depth	
68-539	110mm	6/12

How To Use:



1. Press the trigger while sliding a 3/4" (27.2mm) pipe through all appointed hole.
2. Press the trigger again, then move the clamp face against the object.
3. Screw the pivot handle to make initial contact and secure the object.
4. Turn the handle into right position and continue applying pressure until desired result.
5. For spreader function, reverse clamp faces into opposite direction.

Hand Ratchet Clamp



Item No.	Throat depth	
68-571	3"	12/48

